



# 193-80-13A+

## LOW VOLTAGE IPM MOTOR

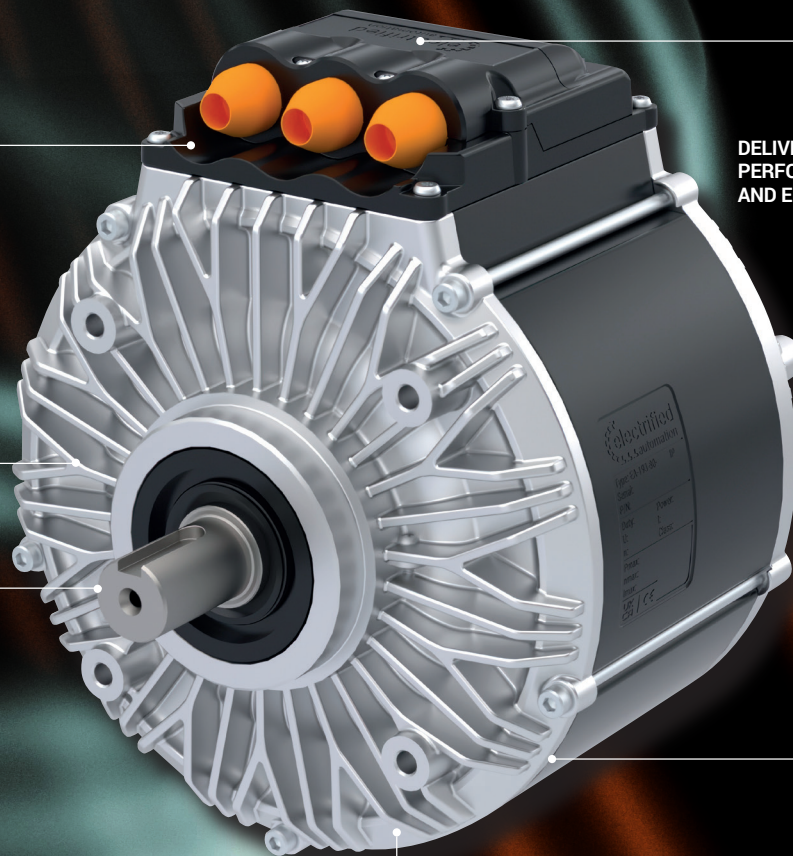
TORQUE: 140Nm | POWER: 20kW | S2-60: 9kW | 18kg



LIGHT AND COMPACT

THROUGH SHAFT  
CAPABILITY

OPTIMISED FOR REPEATABLE,  
SCALEABLE AUTOMATED  
MANUFACTURING



DELIVERS MAXIMUM  
PERFORMANCE, POWER  
AND EFFICIENCY

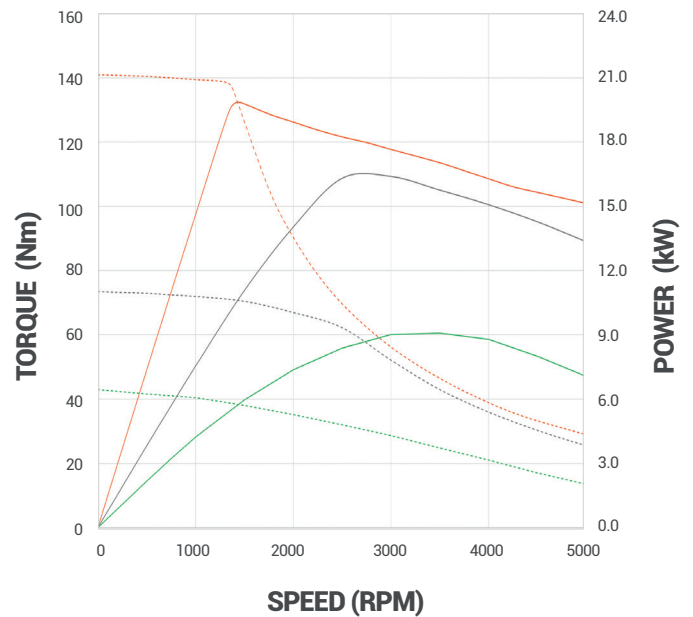
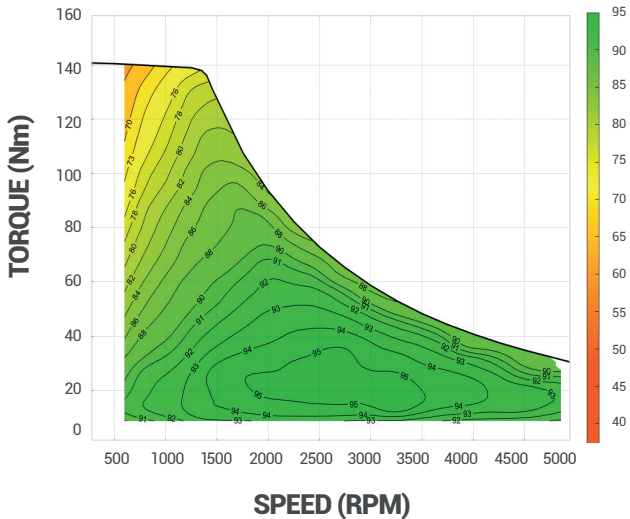
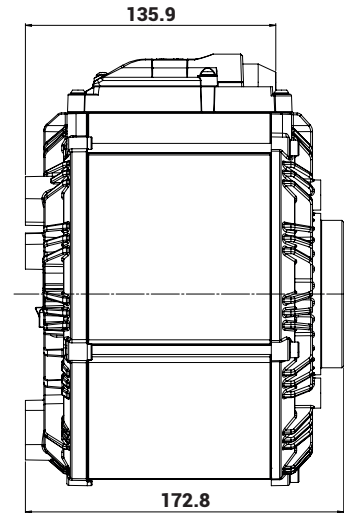
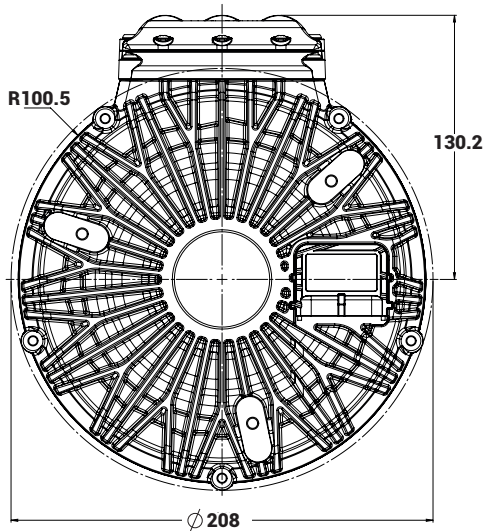
HIGH POWER  
DENSITY

| 193-80-13A+ (48V) |

**193-80-13A+ (48V)**  
LOW VOLTAGE IPM MOTOR



NOMINAL VOLTAGE	PEAK TORQUE @700ARMS	PEAK POWER [S2-5]	RATED POWER [S2-60]	MAXIMUM SPEED	MOTOR WEIGHT
48V	140Nm	20kW	9kW	7000RPM	18kg



\*DATA RECORDED AT 25°C AMBIENT

--- TORQUE [S2-1]    --- TORQUE [S2-10]    --- TORQUE [S2-60]  
--- POWER [S2-1]    --- POWER [S2-10]    --- POWER [S2-60]