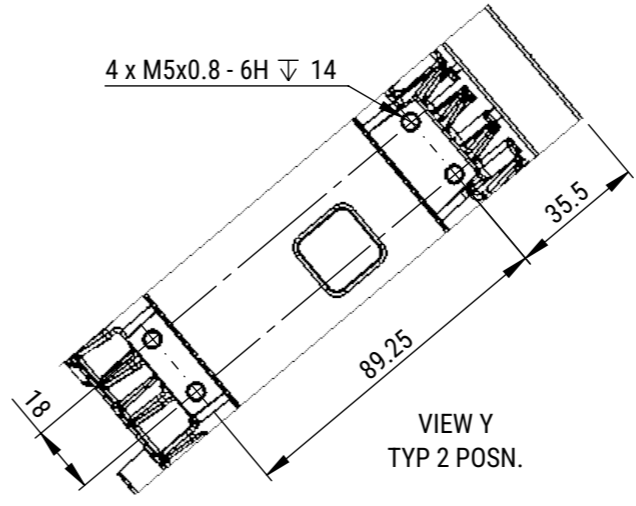
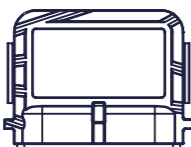


ISOMETRIC VIEW
SCALE 1 : 3



INTERNAL INVOLUTE SPLINE DATA		
SPEC.	ANSI B92.1 1996	
SPLINE TYPE	FLAT ROOT / SIDE FIT	
CLASS		5
NUMBER OF TEETH		9
SPLINE PITCH		16/32
PRESSURE ANGLE	°	30
BASE DIAMETER (REF)	MM	12.373
PITCH DIMETER (REF)	MM	14.288
MAJOR DIAMETER (MAX)	MM	16.535
FORM DIAMETER	MM	15.977
MINOR DIAMETER	MM	13.056
	MM	12.929
MIN. EFF. CIRC. SPACE WIDTH (Sv)	MM	2.494
MAX. ACTUAL SPACE WIDTH (Sv)	MM	2.560
MEASUREMENT BETWEEN PINS	MM	10.089
	MM	10.041
PIN DIAMETER	MM	2.743

MOTOR TYPE	EA-132-52-11A+		ENCODER:	SUPERSEAL 1.5 SOCKET	CUSTOMER APPROVAL:
VOLTAGE	VDC	48	 PIN 1 : 5V PIN 2 : TEMP PIN 3 : SIN PIN 4 : COS PIN 5 : GND PIN 6 : SHIELD	MATING PLUG P/N:	NAME:
IEC DUTY	S2	60		282090-1	DATE:
RATED POWER	KW	3		MATING PIN P/N:	SIGNED:
RATED SPEED	RPM	3000		183035-1	
RATED FREQ.	HZ	250			
IP RATING*	IP	65			
INSUL. CLASS	-	200			
SENSOR CYCLES	CPR	5			
TEMP SENSOR	PT1000	CLASS B			

- NOTES:
1. TERMINAL NUTS: TORQUE TO 12Nm
 2. IP RATINGS - DESIGNED TO IP65 BUT NOT VAILIDATED

REV	CHANGE REF	DESCRIPTION	DRAWN BY	CHECKED	APPROVED	DATE
A	ECN098	FIRST RELEASE	SD	-	AR	22/07/2025


TITLE:
**132-52-11A+, SAE A,
Z9, 48V, IP65**

DWG NO. **2013-003-002**

REV **A**

SCALE **1:2**

MASS (APPROX.) **7.71kg**



ELECTRIFIED AUTOMATION LTD,
UNIT 4 BEECH BUSINESS PARK,
BRIDGWATER,
SOMERSET, TA6 4FF, UNITED KINGDOM

IF IN DOUBT - ASK
ALL DIMENSION IN MM
CONFORMS TO BS8888

©2025 ELECTRIFIED AUTOMATION LTD.
REPRODUCTION OR TRANSMISSION OF DATA HEREIN IS
FORBIDDEN WITHOUT WRITTEN PERMISSION FROM
ELECTRIFIED AUTOMATION LTD.

STRICTLY NO DEVIATION FROM
DRAWING PERMISSABLE WITHOUT
APPROVED CONCESSION FROM
ELECTRIFIED AUTOMATION

DOCUMENT TYPE
**ASSEMBLY
DRAWING**

DOCUMENT STATUS
**PROTOTYPE
APPROVED**

SHEET
1 OF 1

A3