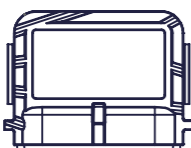


MOTOR TYPE	EA-132-52-11A+	
VOLTAGE	VDC	48
IEC DUTY	S2	60
RATED POWER	KW	3
RATED SPEED	RPM	3000
RATED FREQ.	HZ	250
IP RATING*	IP	65
INSUL. CLASS	-	250
SENSOR CYCLES	CPR	5
TEMP SENSOR	PT1000	CLASS B

ENCODER:	SUPERSEAL 1.5 SOCKET
	MATING PLUG P/N: 282090-1
	MATING PIN P/N: 183035-1
PIN 1: 5V	
PIN 2: TEMP	
PIN 3: SIN	
PIN 4: COS	
PIN 5: GND	
PIN 6: SHIELD	

CUSTOMER APPROVAL:	
NAME:	
DATE:	
SIGNED:	

- NOTES:
1. TERMINAL NUTS: TORQUE TO 12Nm
 2. IP RATINGS - DESIGNED TO IP65 BUT NOT VAILIDATED

REV	CHANGE REF	DESCRIPTION	DRAWN BY	CHECKED	APPROVED	DATE
A	ECN098	FIRST RELEASE	SD	-	AR	22/07/2025

TITLE:	132-52-11A+, PUMP, G1, 48V, IP65	
DWG NO.	2013-003-004	
REV	A	
SCALE	1:2	
MASS (APPROX.)	9.1kg	

electrified motors

ELECTRIFIED AUTOMATION LTD,
UNIT 4 BEECH BUSINESS PARK,
BRIDGWATER,
SOMERSET, TA6 4FF, UNITED KINGDOM

IF IN DOUBT - ASK
ALL DIMENSION IN MM
CONFORMS TO BS8888

DOCUMENT TYPE	ASSEMBLY DRAWING
DOCUMENT STATUS	PROTOTYPE APPROVED

STRICTLY NO DEVIATION FROM DRAWING PERMISSABLE WITHOUT APPROVED CONCESSION FROM ELECTRIFIED AUTOMATION	
SHEET	1 OF 1
A3	