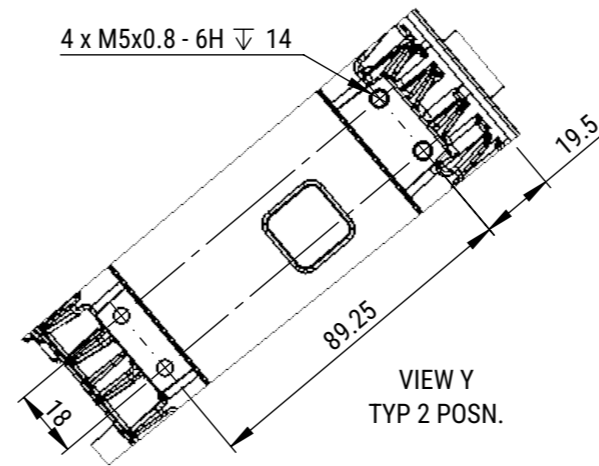
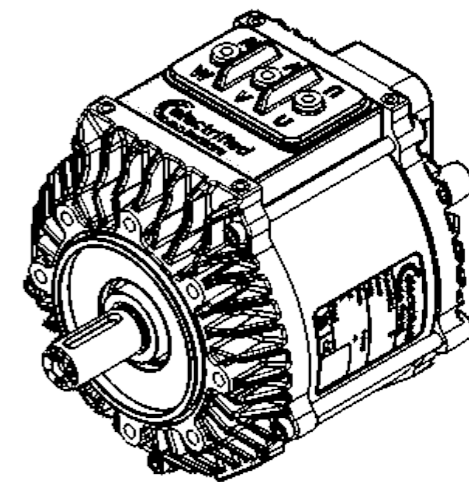


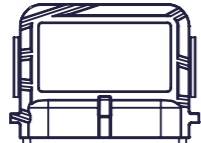
SECTION Z-Z
(CROPPED)



VIEW Y
TYP 2 POSN.



ISOMETRIC VIEW
SCALE 1 : 3

MOTOR TYPE	EA-132-52-11A+		ENCODER:	SUPERSEAL 1.5 SOCKET	CUSTOMER APPROVAL:
VOLTAGE	VDC	48	 <p>PIN 1 : 5V PIN 2 : TEMP PIN 3 : SIN PIN 4 : COS PIN 5 : GND PIN 6 : SHIELD</p>	MATING PLUG P/N:	<p>NAME: DATE: SIGNED:</p>
IEC DUTY	S2	60		282090-1	
RATED POWER	KW	3		MATING PIN P/N:	
RATED SPEED	RPM	3000		183035-1	
RATED FREQ.	HZ	250			
IP RATING*	IP	65			
INSUL. CLASS	-	200			
SENSOR CYCLES	CPR	5			
TEMP SENSOR	PT1000	CLASS B			

- NOTES:
1. TERMINAL NUTS: TORQUE TO 12Nm
 2. IP RATINGS - DESIGNED TO IP65 BUT NOT VAILIDATED

REV	CHANGE REF	DESCRIPTION	DRAWN BY	CHECKED	APPROVED	DATE
B	ECN122	PRODUCTION APPROVED	EB	-	SD	30/01/2026

TITLE:	132-52-11A+, B14/80, 48V, IP65		
DWG NO.	2013-003-006	REV	B
SCALE	1:2	MASS (APPROX.)	7.4kg

electrified motors

ELECTRIFIED AUTOMATION LTD,
UNIT 4 BEECH BUSINESS PARK,
BRIDGWATER,
SOMERSET, TA6 4FF, UNITED KINGDOM

IF IN DOUBT - ASK
ALL DIMENSION IN MM
CONFORMS TO BS8888

©2026 ELECTRIFIED AUTOMATION LTD. REPRODUCTION OR TRANSMISSION OF DATA HEREIN IS FORBIDDEN WITHOUT WRITTEN PERMISSION FROM ELECTRIFIED AUTOMATION LTD.		STRICTLY NO DEVIATION FROM DRAWING PERMISSABLE WITHOUT APPROVED CONCESSION FROM ELECTRIFIED AUTOMATION	
DOCUMENT TYPE	DOCUMENT STATUS	SHEET	
ASSEMBLY DRAWING	PROTOTYPE APPROVED	1 OF 1	A3