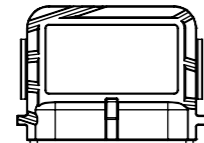


MOTOR TYPE	EA-193-40-18A+	
VOLTAGE	VDC	48
IEC DUTY	S2	60
RATED POWER	KW	5.5
RATED SPEED	RPM	4000
RATED FREQ.	HZ	333
IP RATING*	IP	65
INSUL. CLASS	-	200
SENSOR CYCLES	CPR	5
TEMP SENSOR	PT1000	CLASS B

ENCODER:

SUPERSEAL 1.5 SOCKET



MATING PLUG P/N:
282090-1

PIN 1 : 5V
PIN 2 : TEMP
PIN 3 : SIN
PIN 4 : COS
PIN 5 : GND
PIN 6 : SHIELD

MATING PIN P/N:
183035-1

CUSTOMER APPROVAL:

NAME:

DATE:

SIGNED:

NOTES:

- KEYWAY DIMENSIONS TO ISO/R773
- SHAFT ROTATES CW, WHEN VIEWED FROM DRIVE END, WHEN COSINE SIGNAL LEADS SINE SIGNAL BY 90 DEGREES
- SHAFT ROTATES CW, WHEN VIEWED FROM DRIVE END, WHEN U-V-W WIRED PER DIAGRAM
- TERMINAL NUTS: TORQUE TO 15Nm
- SEE MANUAL FOR RECOMMENDED TORQUE VALUES OF MOTOR FASTENERS
- ESTIMATED ROTATIONAL MOMENT OF INERTIA: 5704 kg/mm²
- * IP RATINGS - SEE USER MANUAL FOR FURTHER DETAILS

REV	CHANGE REF	DESCRIPTION	DRAWN BY	CHECKED	APPROVED	DATE
1	ECN069	PRODUCTION RELEASE	EB	SD	SD	28/05/2025

TITLE: **193-040-18A+, STD,
19MM KEYED, 48V, IP65**

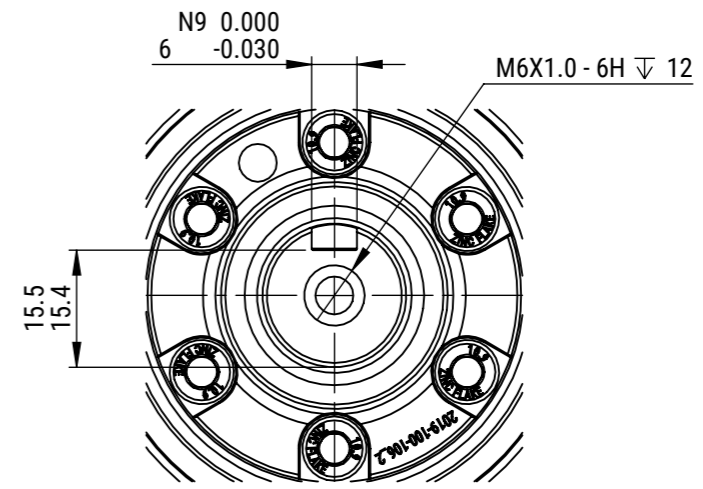
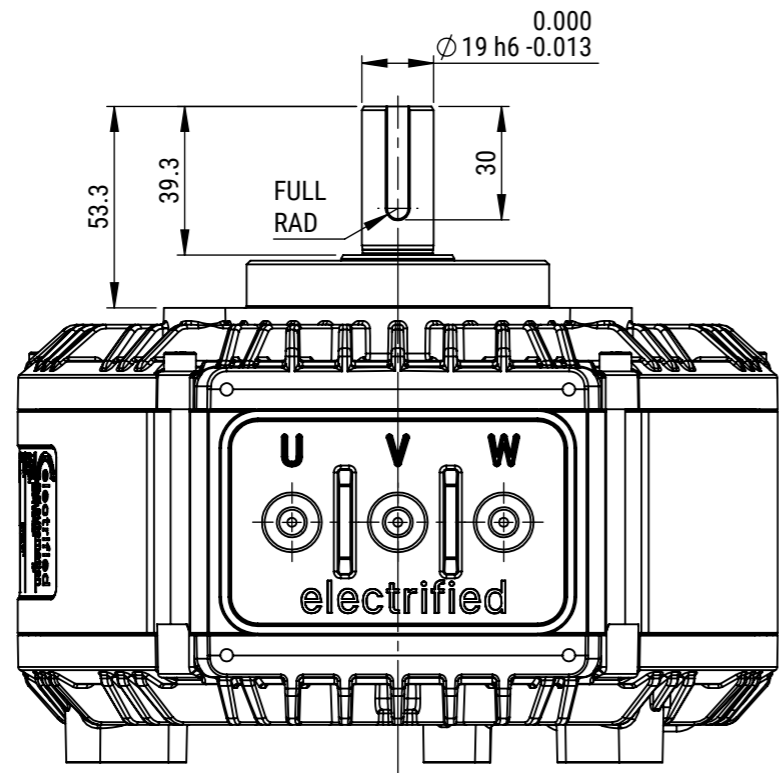


ELECTRIFIED AUTOMATION LTD,
UNIT 4 BEECH BUSINESS PARK,
BRIDGWATER,
SOMERSET, TA6 4FF, UNITED KINGDOM

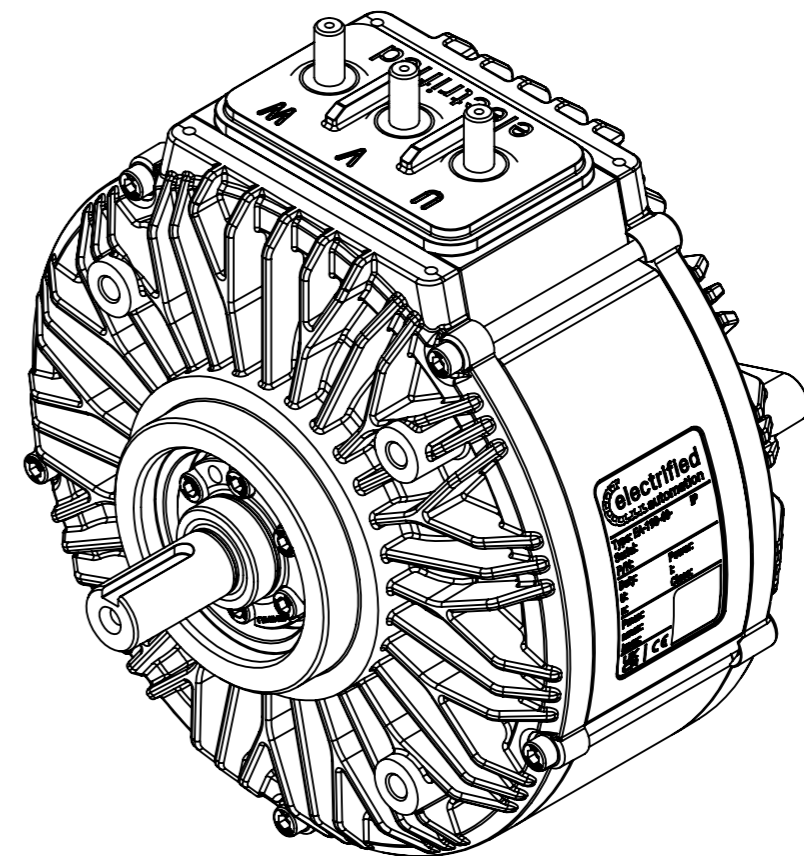
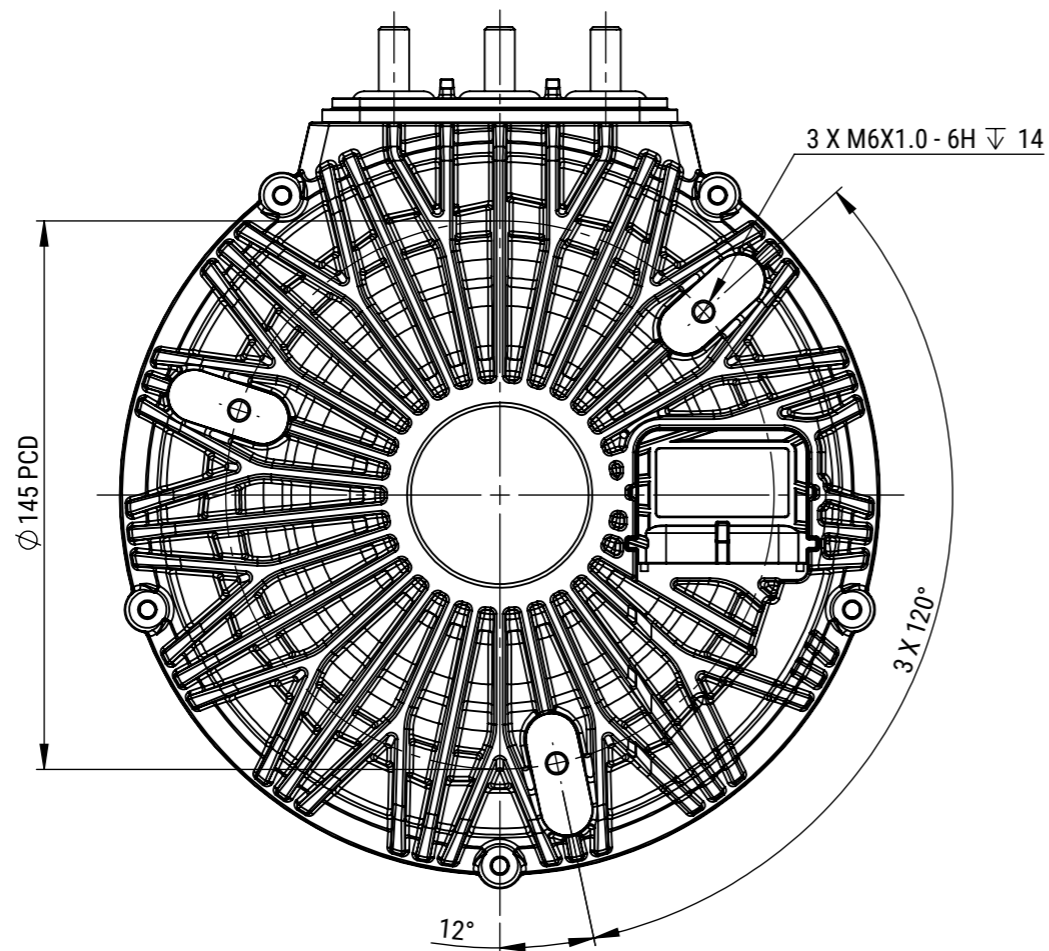
©2025 ELECTRIFIED AUTOMATION LTD.
REPRODUCTION OR TRANSMISSION OF DATA HEREIN IS
FORBIDDEN WITHOUT WRITTEN PERMISSION FROM
ELECTRIFIED AUTOMATION LTD.

STRICTLY NO DEVIATION FROM
DRAWING PERMISSABLE WITHOUT
APPROVED CONCESSION FROM
ELECTRIFIED AUTOMATION

DWG NO. 2019-002-066	REV 1	SCALE 1:2	MASS (APPROX.) 11.30kg		IF IN DOUBT - ASK ALL DIMENSION IN MM CONFORMS TO BS8888	DOCUMENT TYPE ASSEMBLY DRAWING	DOCUMENT STATUS PRODUCTION APPROVED	SHEET 1 OF 2	A3
--------------------------------	-----------------	---------------------	-------------------------------------	--	--	--	---	------------------------	-----------



DETAIL A
SCALE 1:1



ISOMETRIC VIEW

REV	CHANGE REF	DESCRIPTION	DRAWN BY	CHECKED	APPROVED	DATE
1	ECN069	PRODUCTION RELEASE	EB	SD	SD	28/05/2025

TITLE: **193-040-18A+, STD,
19MM KEYED, 48V, IP65**



ELECTRIFIED AUTOMATION LTD,
UNIT 4 BEECH BUSINESS PARK,
BRIDGWATER,
SOMERSET, TA6 4FF, UNITED KINGDOM

©2025 ELECTRIFIED AUTOMATION LTD.
REPRODUCTION OR TRANSMISSION OF DATA HEREIN IS
FORBIDDEN WITHOUT WRITTEN PERMISSION FROM
ELECTRIFIED AUTOMATION LTD.

STRICTLY NO DEVIATION FROM
DRAWING PERMISSABLE WITHOUT
APPROVED CONCESSION FROM
ELECTRIFIED AUTOMATION

DWG NO. 2019-002-066	REV 1	SCALE 1:2	MASS (APPROX.) 11.30kg		IF IN DOUBT - ASK ALL DIMENSION IN MM CONFORMS TO BS8888	DOCUMENT TYPE ASSEMBLY DRAWING	DOCUMENT STATUS PRODUCTION APPROVED	SHEET 2 OF 2	A3
--------------------------------	-----------------	---------------------	-------------------------------------	--	--	--	---	------------------------	-----------