

MOTOR TYPE	EA-193-80-13A+	
VOLTAGE	VDC	48
IEC DUTY	S2	60
RATED POWER	KW	8
RATED SPEED	RPM	2500
RATED FREQ.	HZ	208
IP RATING*	IP	65
INSUL. CLASS	-	200
SENSOR CYCLES	CPR	5
TEMP SENSOR	PT1000	CLASS B

ENCODER:	SUPERSEAL 1.5 SOCKET
	MATING PLUG P/N: 282090-1
	MATING PIN P/N: 183035-1

CUSTOMER APPROVAL:
NAME:
DATE:
SIGNED:

NOTES:

- SHAFT ROTATES CW, WHEN VIEWED FROM DRIVE END, WHEN COSINE SIGNAL LEADS SINE SIGNAL BY 90 DEGREES
- SHAFT ROTATES CW, WHEN VIEWED FROM DRIVE END, WHEN U-V-W WIRED PER DIAGRAM
- TERMINAL NUTS: TORQUE TO 15Nm
- SEE MANUAL FOR RECOMMENDED TORQUE VALUES OF MOTOR FASTENERS
- ESTIMATED ROTATIONAL MOMENT OF INERTIA: 11031 kg/mm²
- * IP RATINGS - SEE USER MANUAL FOR FURTHER DETAILS

REV	CHANGE REF	DESCRIPTION	DRAWN BY	CHECKED	APPROVED	DATE
1	ECN069	PRODUCTION APPROVED	EB	SD	SD	29/05/2025

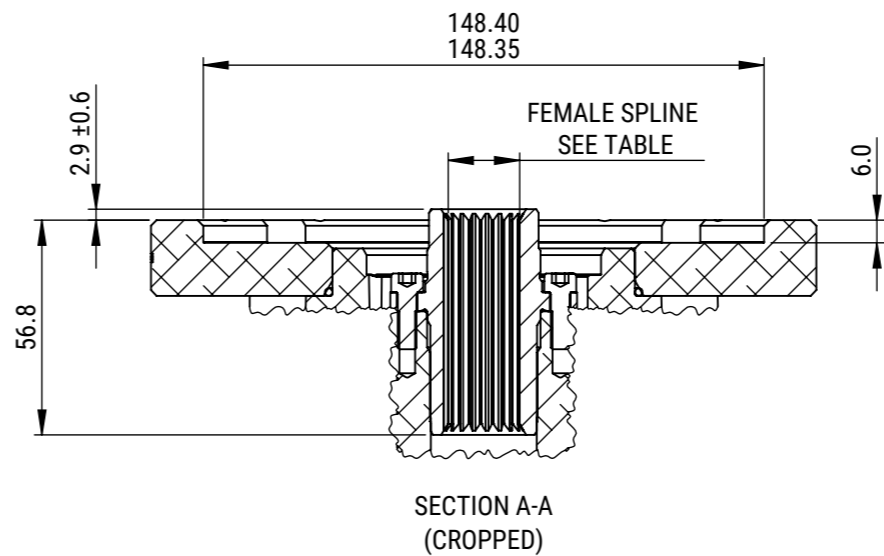
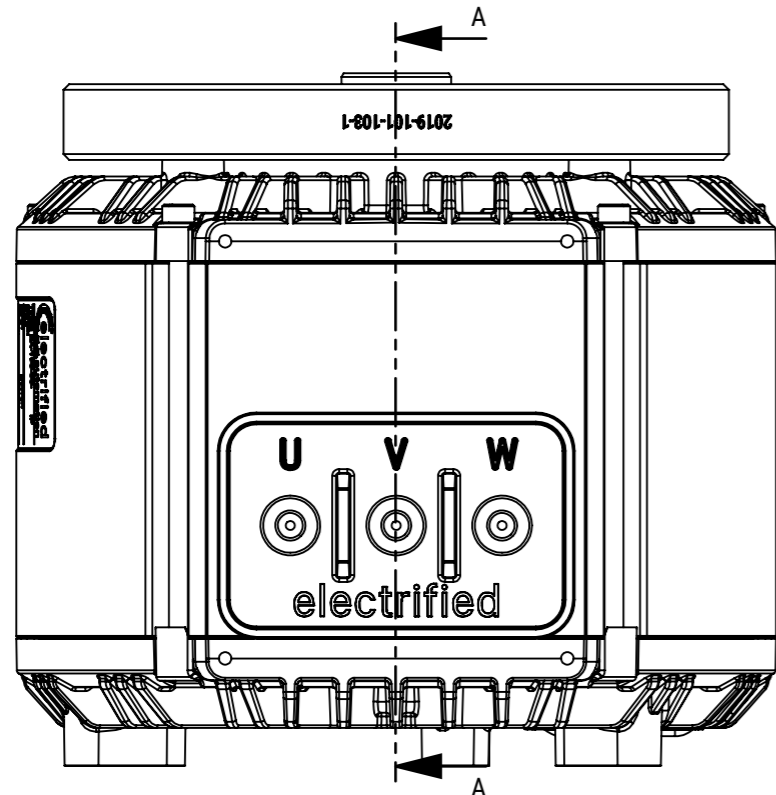
TITLE:	193-080-13A+, E-AXLE 1, 48V, IP65		
DWG NO.	REV	SCALE	MASS (APPROX.)
2019-002-077	1	1:2	19.08kg

electrified motors
ELECTRIFIED AUTOMATION LTD,
UNIT 4 BEECH BUSINESS PARK,
BRIDGWATER,
SOMERSET, TA6 4FF, UNITED KINGDOM

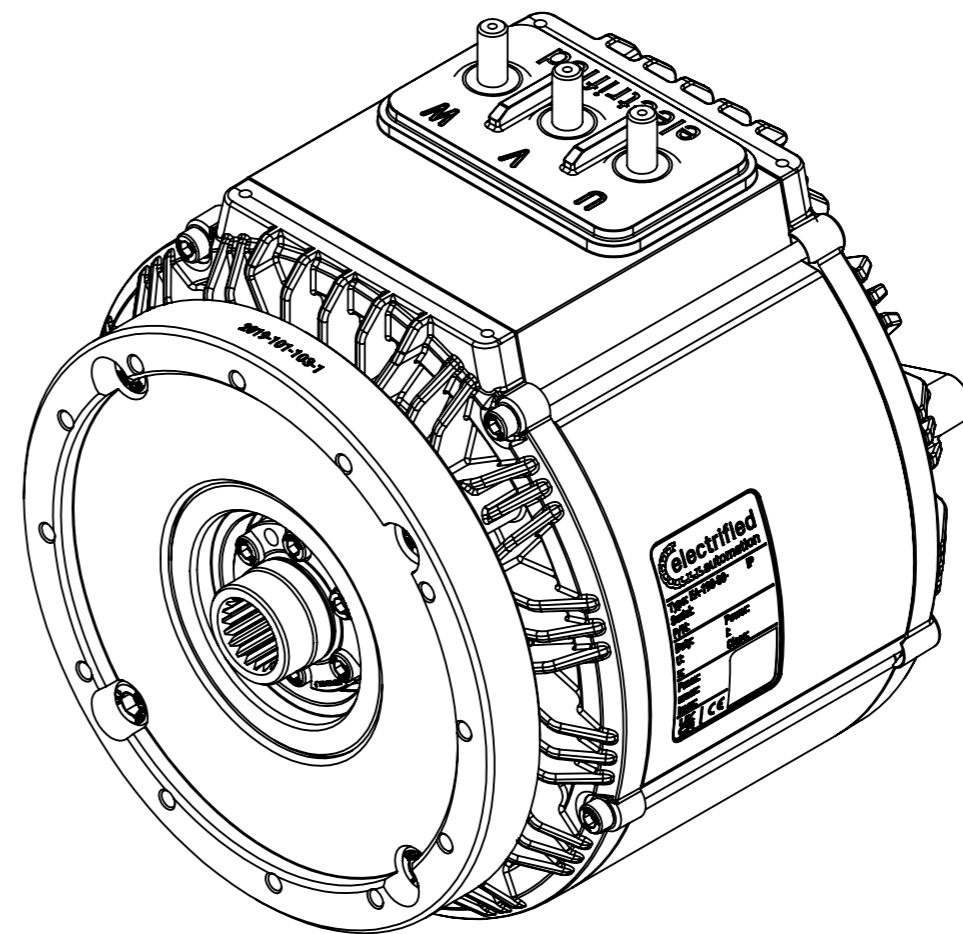
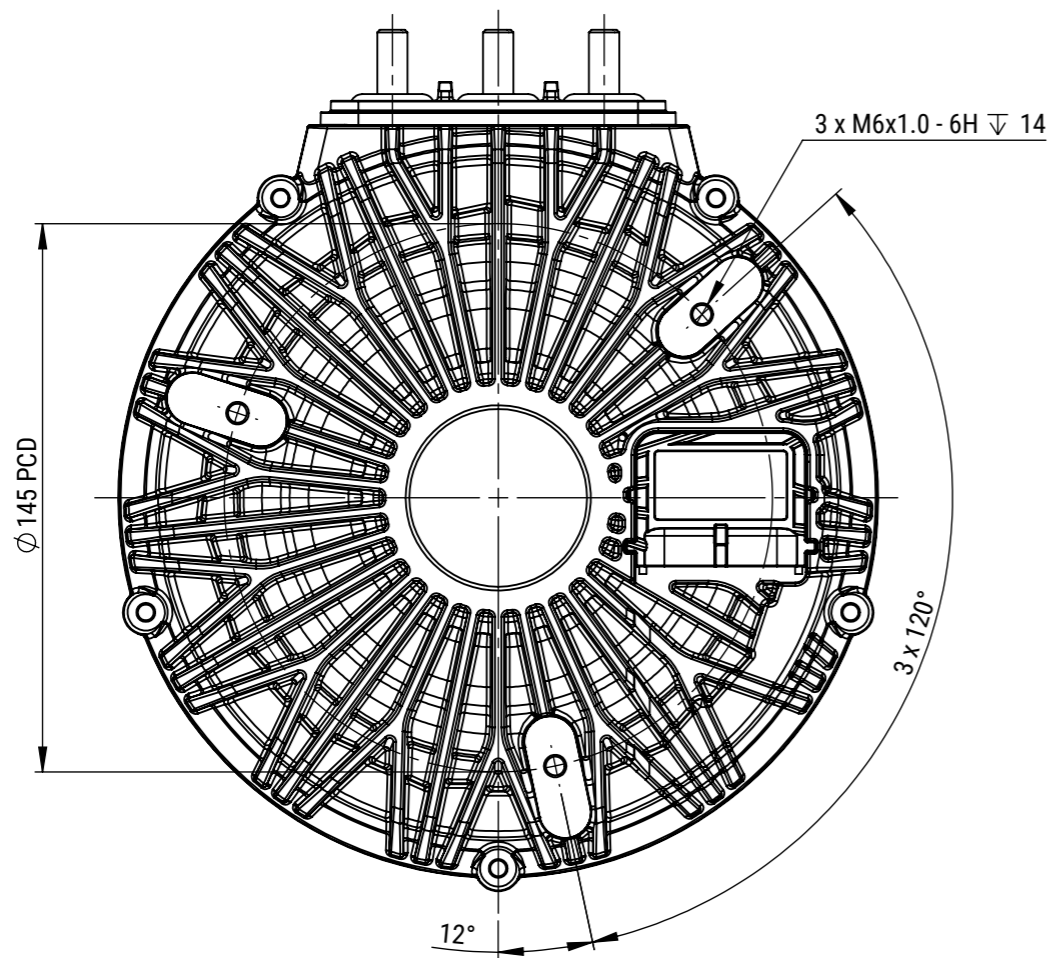
IF IN DOUBT - ASK ALL DIMENSION IN MM CONFORMS TO BS8888

©2025 ELECTRIFIED AUTOMATION LTD. REPRODUCTION OR TRANSMISSION OF DATA HEREIN IS FORBIDDEN WITHOUT WRITTEN PERMISSION FROM ELECTRIFIED AUTOMATION LTD.	DOCUMENT TYPE ASSEMBLY DRAWING	DOCUMENT STATUS PRODUCTION APPROVED
--	--	---

STRICTLY NO DEVIATION FROM DRAWING PERMISSABLE WITHOUT APPROVED CONCESSION FROM ELECTRIFIED AUTOMATION	SHEET 1 OF 2	A3
--	-----------------	-----------



INTERNAL INVOLUTE SPLINE DATA		
SPEC.	ANSI B92.1 1996	
SPLINE TYPE	FILLET ROOT / SIDE FIT	
CLASS		5
NUMBER OF TEETH		19
SPLINE PITCH		24/48
PRESSURE ANGLE	°	45
BASE DIAMETER (REF)	MM	14.219
PITCH DIMETER (REF)	MM	20.108
MAJOR DIAMETER (MAX)	MM	21.819
FORM DIAMETER	MM	21.285
MINOR DIAMETER	MM	19.609
	MM	19.482
MIN. EFF. CIRC. SPACE WIDTH (Sv)	MM	1.875
MAX. ACTUAL SPACE WIDTH (Sv)	MM	1.941
MEASUREMENT BETWEEN PINS	MM	17.054
	MM	17.005
PIN DIAMETER	MM	2.032



ISOMETRIC VIEW

REV	CHANGE REF	DESCRIPTION	DRAWN BY	CHECKED	APPROVED	DATE
1	ECN069	PRODUCTION APPROVED	EB	SD	SD	29/05/2025

TITLE:
**193-080-13A+, E-AXLE 1,
48V, IP65**



ELECTRIFIED AUTOMATION LTD,
UNIT 4 BEECH BUSINESS PARK,
BRIDGWATER,
SOMERSET, TA6 4FF, UNITED KINGDOM

©2025 ELECTRIFIED AUTOMATION LTD.
REPRODUCTION OR TRANSMISSION OF DATA HEREIN IS
FORBIDDEN WITHOUT WRITTEN PERMISSION FROM
ELECTRIFIED AUTOMATION LTD.

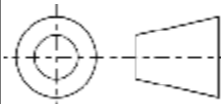
STRICTLY NO DEVIATION FROM
DRAWING PERMISSABLE WITHOUT
APPROVED CONCEPTION FROM
ELECTRIFIED AUTOMATION

DWG NO. **2019-002-077**

REV **1**

SCALE **1:2**

MASS (APPROX.) **19.08kg**



IF IN DOUBT - ASK
ALL DIMENSION IN MM
CONFORMS TO BS8888

DOCUMENT TYPE
**ASSEMBLY
DRAWING**

DOCUMENT STATUS
**PRODUCTION
APPROVED**

SHEET
2 OF 2

A3