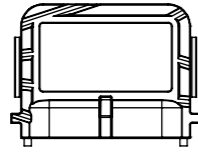

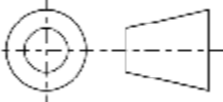
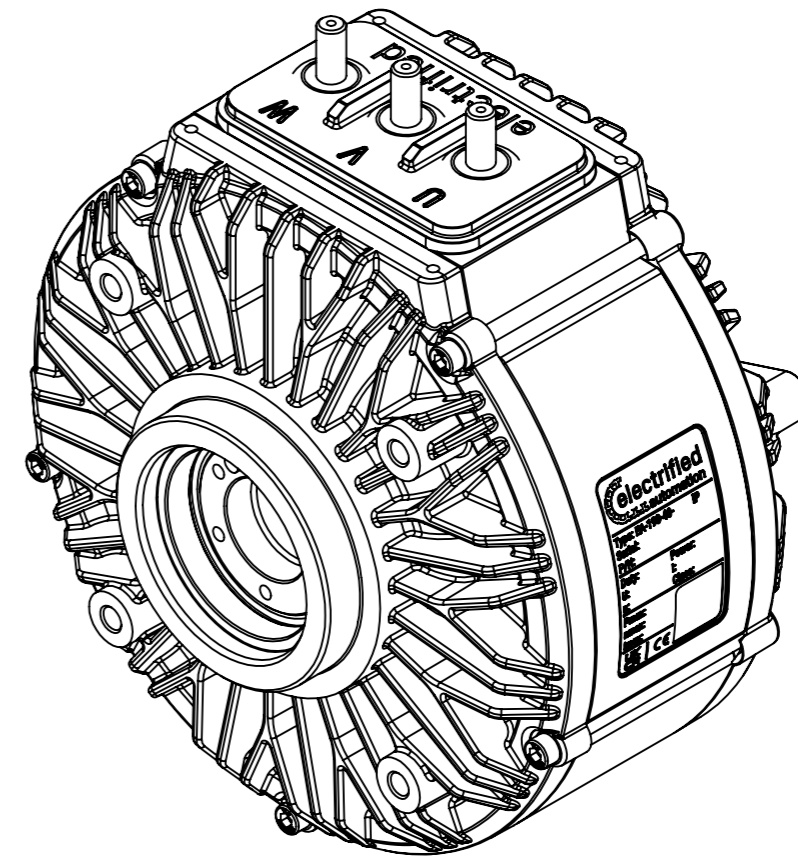
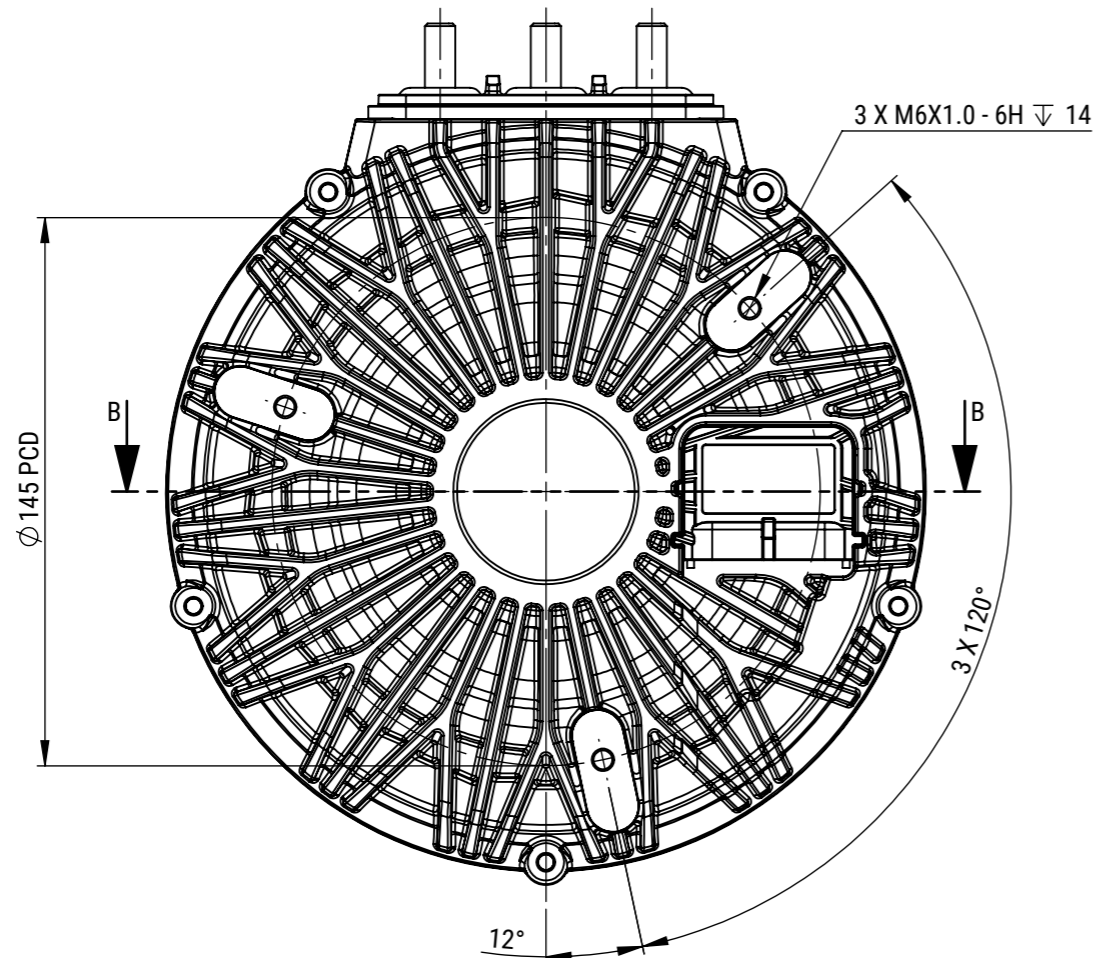
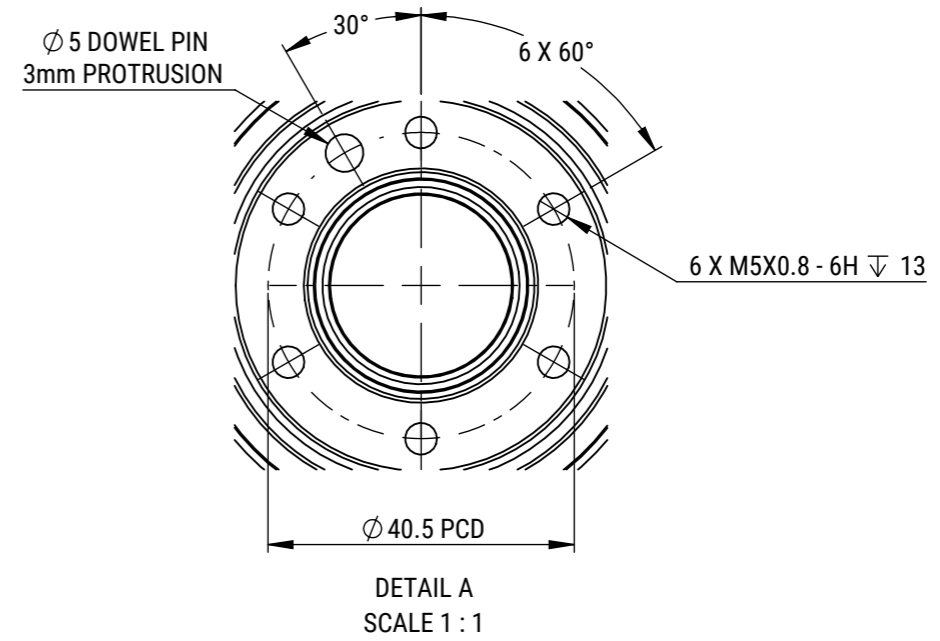
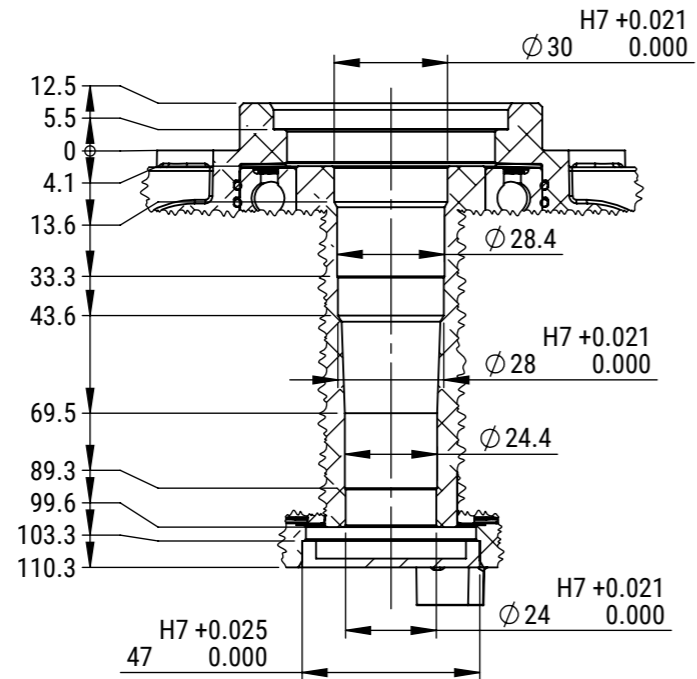


MOTOR TYPE	EA-193-40-18A+		ENCODER:	SUPERSEAL 1.5 SOCKET	CUSTOMER APPROVAL:	
VOLTAGE	VDC	48	 PIN 1 : 5V PIN 2 : TEMP PIN 3 : SIN PIN 4 : COS PIN 5 : GND PIN 6 : SHIELD	MATING PLUG P/N:	NAME: DATE: SIGNED:	
IEC DUTY	S2	60		MATING PLUG P/N:		282090-1
RATED POWER	KW	5.5		MATING PIN P/N:		183035-1
RATED SPEED	RPM	4000				
RATED FREQ.	HZ	333				
IP RATING*	IP	6X				
INSUL. CLASS	-	200				
SENSOR CYCLES	CPR	5				
TEMP SENSOR	PT1000	CLASS B				

- NOTES:
- SHAFT ROTATES CW, WHEN VIEWED FROM DRIVE END, WHEN COSINE SIGNAL LEADS SINE SIGNAL BY 90 DEGREES
  - SHAFT ROTATES CW, WHEN VIEWED FROM DRIVE END, WHEN U-V-W WIRED PER DIAGRAM
  - TERMINAL NUTS: TORQUE TO 15Nm
  - SEE MANUAL FOR RECOMMENDED TORQUE VALUES OF MOTOR FASTENERS
  - ESTIMATED ROTATIONAL MOMENT OF INERTIA: 5639 kg/mm<sup>2</sup>
  - \* IP RATINGS - SEE USER MANUAL FOR FURTHER DETAILS

REV	CHANGE REF	DESCRIPTION	DRAWN BY	CHECKED	APPROVED	DATE	TITLE:	 ELECTRIFIED AUTOMATION LTD, UNIT 4 BEECH BUSINESS PARK, BRIDGWATER, SOMERSET, TA6 4FF, UNITED KINGDOM	©2025 ELECTRIFIED AUTOMATION LTD. REPRODUCTION OR TRANSMISSION OF DATA HEREIN IS FORBIDDEN WITHOUT WRITTEN PERMISSION FROM ELECTRIFIED AUTOMATION LTD.	STRICTLY NO DEVIATION FROM DRAWING PERMISSABLE WITHOUT APPROVED CONCESSION FROM ELECTRIFIED AUTOMATION				
1	ECN069	PRODUCTION RELEASE	EB	SD	SD	28/05/2025	<b>193-040-18A+, NO            INTERFACE, 48V, IP6X</b>							
							DWG NO.	REV	SCALE	MASS (APPROX.)	 IF IN DOUBT - ASK ALL DIMENSION IN MM CONFORMS TO BS8888	DOCUMENT TYPE	DOCUMENT STATUS	SHEET
							2019-002-079	1	1:2	10.96kg		ASSEMBLY DRAWING	PRODUCTION APPROVED	1 OF 2

**A3**



REV	CHANGE REF	DESCRIPTION	DRAWN BY	CHECKED	APPROVED	DATE
1	ECN069	PRODUCTION RELEASE	EB	SD	SD	28/05/2025

TITLE: <b>193-040-18A+, NO INTERFACE, 48V, IP6X</b>						
DWG NO.	REV	SCALE	MASS (APPROX.)			
2019-002-079	1	1:2	10.96kg			

**electrified** motors

ELECTRIFIED AUTOMATION LTD,  
UNIT 4 BEECH BUSINESS PARK,  
BRIDGWATER,  
SOMERSET, TA6 4FF, UNITED KINGDOM

IF IN DOUBT - ASK ALL DIMENSION IN MM CONFORMS TO BS8888

©2025 ELECTRIFIED AUTOMATION LTD.  
REPRODUCTION OR TRANSMISSION OF DATA HEREIN IS FORBIDDEN WITHOUT WRITTEN PERMISSION FROM ELECTRIFIED AUTOMATION LTD.

DOCUMENT TYPE  
**ASSEMBLY DRAWING**

STRICTLY NO DEVIATION FROM DRAWING PERMISSABLE WITHOUT APPROVED CONCESSION FROM ELECTRIFIED AUTOMATION

DOCUMENT STATUS  
**PRODUCTION APPROVED**

SHEET  
2 OF 2

**A3**