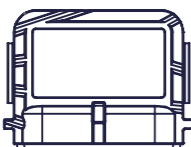


MOTOR TYPE	EA-193-80-13A+		ENCODER:	SUPERSEAL 1.5 SOCKET	CUSTOMER APPROVAL:
VOLTAGE	VDC	48	 PIN 1: 5V PIN 2: TEMP PIN 3: SIN PIN 4: COS PIN 5: GND PIN 6: SHIELD	MATING PLUG P/N:	NAME:
IEC DUTY	S2	60		282090-1	DATE:
RATED POWER	KW	8		MATING PIN P/N:	SIGNED:
RATED SPEED	RPM	2500		183035-1	
RATED FREQ.	HZ	208			
IP RATING*	IP	65			
INSUL. CLASS	-	200			
SENSOR CYCLES	CPR	5			
TEMP SENSOR	PT1000	CLASS B			

- NOTES:
- KEYWAY DIMENSIONS TO ISO/R773
  - SHAFT ROTATES CW, WHEN VIEWED FROM DRIVE END, WHEN COSINE SIGNAL LEADS SINE SIGNAL BY 90 DEGREES
  - SHAFT ROTATES CW, WHEN VIEWED FROM DRIVE END, WHEN U-V-W WIRED PER DIAGRAM
  - TERMINAL NUTS: TORQUE TO 15Nm
  - SEE MANUAL FOR RECOMMENDED TORQUE VALUES OF MOTOR FASTENERS
  - ESTIMATED ROTATIONAL MOMENT OF INERTIA: 11064 kg/mm<sup>2</sup>
  - \* IP RATINGS - SEE USER MANUAL FOR FURTHER DETAILS

REV	CHANGE REF	DESCRIPTION	DRAWN BY	CHECKED	APPROVED	DATE
1	ECN069	PRODUCTION RELEASE	EB	SD	SD	29/05/2025

TITLE: **193-080-13A+, B14/100, 48V, IP65**

DWG NO. **2019-002-111**    REV **1**    SCALE **1:2**

**electrified** motors

ELECTRIFIED AUTOMATION LTD,  
UNIT 4 BEECH BUSINESS PARK,  
BRIDGWATER,  
SOMERSET, TA6 4FF, UNITED KINGDOM

IF IN DOUBT - ASK ALL DIMENSION IN MM CONFORMS TO BS8888

©2025 ELECTRIFIED AUTOMATION LTD. REPRODUCTION OR TRANSMISSION OF DATA HEREIN IS FORBIDDEN WITHOUT WRITTEN PERMISSION FROM ELECTRIFIED AUTOMATION LTD.

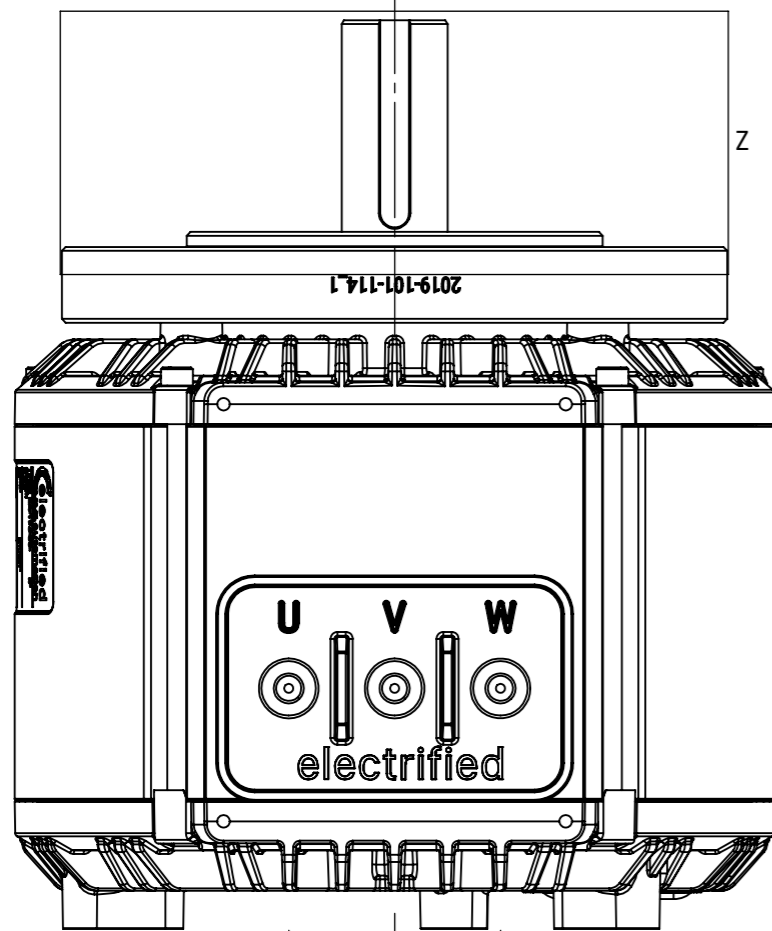
STRICTLY NO DEVIATION FROM DRAWING PERMISSABLE WITHOUT APPROVED CONCESSION FROM ELECTRIFIED AUTOMATION

DOCUMENT TYPE: **ASSEMBLY DRAWING**

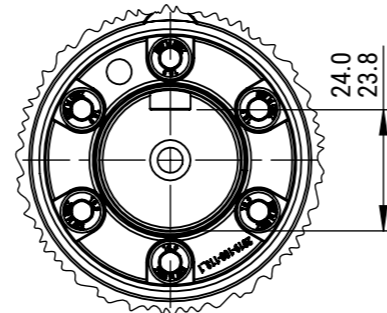
DOCUMENT STATUS: **PRODUCTION APPROVED**

SHEET: **1 OF 2**

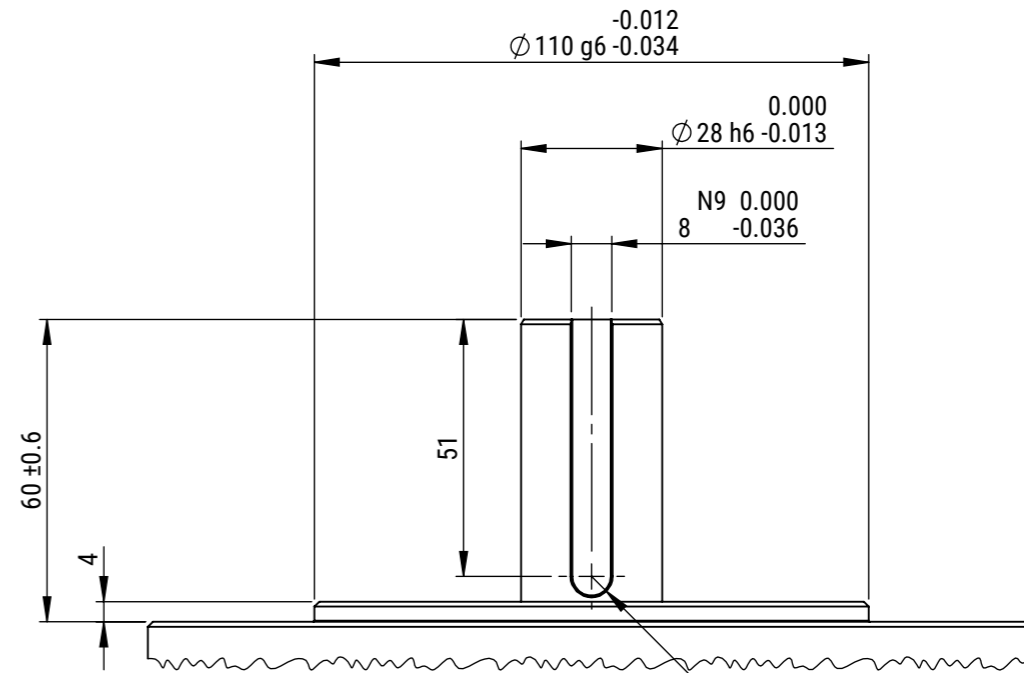
**A3**



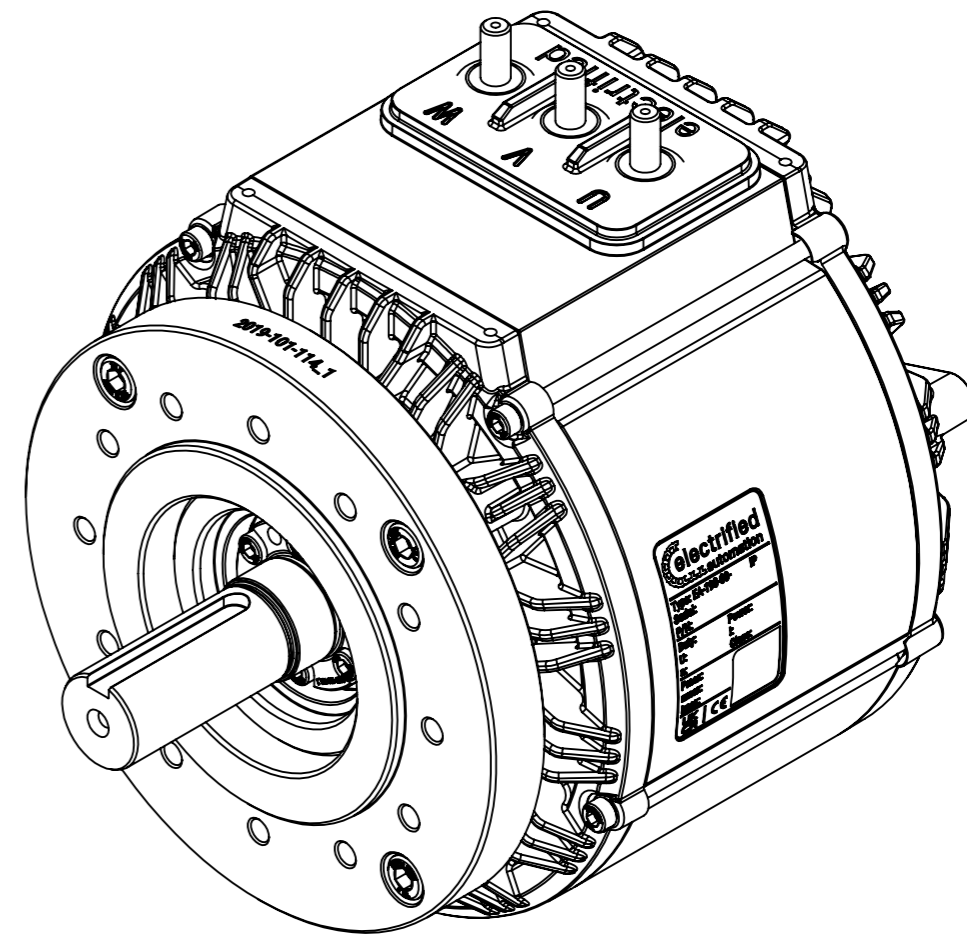
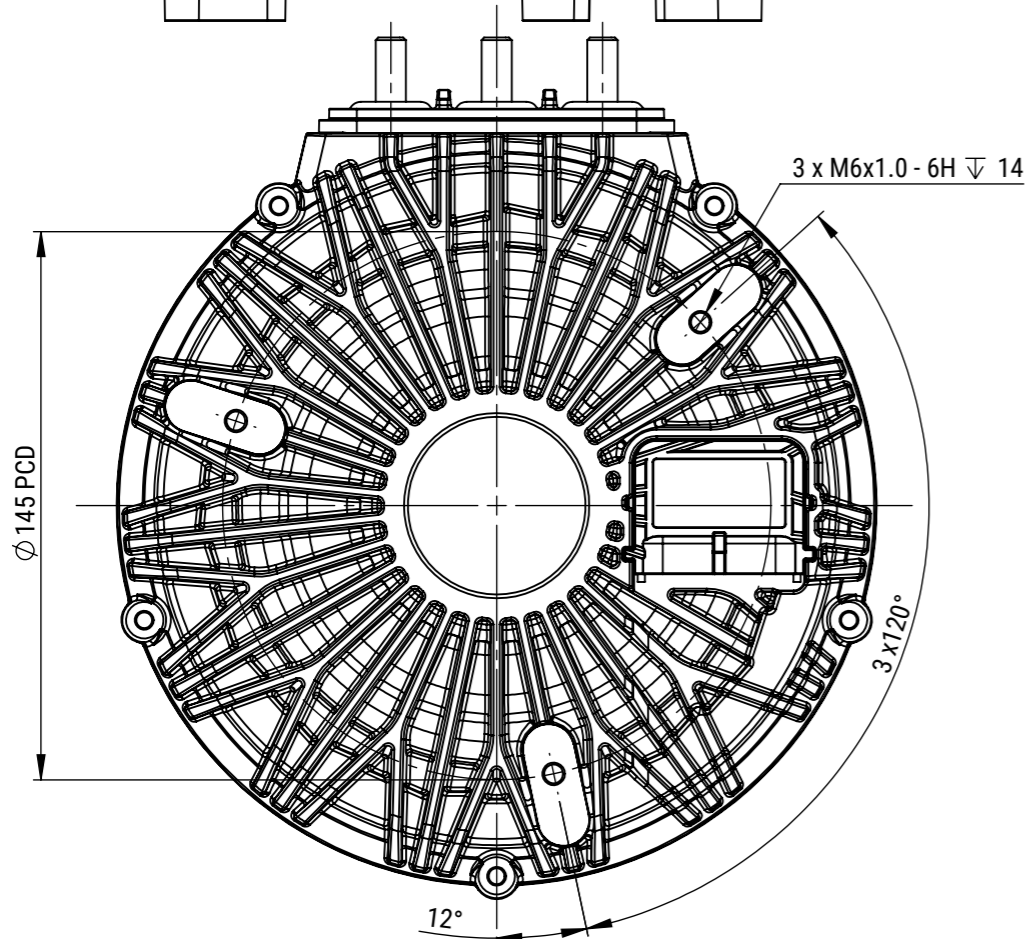
2019-002-111



DETAIL Y  
SCALE 2 : 3



DETAIL Z  
SCALE 2 : 3



ISOMETRIC VIEW

REV	CHANGE REF	DESCRIPTION	DRAWN BY	CHECKED	APPROVED	DATE
1	ECN069	PRODUCTION RELEASE	EB	SD	SD	29/05/2025

TITLE: **193-080-13A+,  
B14/100, 48V, IP65**



ELECTRIFIED AUTOMATION LTD,  
UNIT 4 BEECH BUSINESS PARK,  
BRIDGWATER,  
SOMERSET, TA6 4FF, UNITED KINGDOM

©2025 ELECTRIFIED AUTOMATION LTD.  
REPRODUCTION OR TRANSMISSION OF DATA HEREIN IS  
FORBIDDEN WITHOUT WRITTEN PERMISSION FROM  
ELECTRIFIED AUTOMATION LTD.

STRICTLY NO DEVIATION FROM  
DRAWING PERMISSABLE WITHOUT  
APPROVED CONCEPTION FROM  
ELECTRIFIED AUTOMATION

DWG NO. <b>2019-002-111</b>	REV <b>1</b>	SCALE <b>1:2</b>	MASS <b>19.73kg</b>	IF IN DOUBT - ASK ALL DIMENSION IN MM CONFORMS TO BS8888	DOCUMENT TYPE <b>ASSEMBLY DRAWING</b>	DOCUMENT STATUS <b>PRODUCTION APPROVED</b>	SHEET <b>2 OF 2</b>	<b>A3</b>
--------------------------------	-----------------	---------------------	------------------------	--	--	---	------------------------	-----------