

MOTOR TYPE	EA-193-80-10A+		ENCODER:	SUPERSEAL 1.5 SOCKET	CUSTOMER APPROVAL:
VOLTAGE	VDC	48		MATING PLUG P/N:	NAME:
IEC DUTY	S2	60		282090-1	DATE:
RATED POWER	KW	10		MATING PIN P/N:	SIGNED:
RATED SPEED	RPM	4000		183035-1	
RATED FREQ.	HZ	333			
IP RATING*	IP	65			
INSUL. CLASS	-	200			
SENSOR CYCLES	CPR	5			
TEMP SENSOR	PT1000	CLASS B			

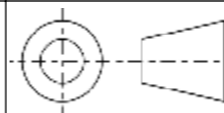
- NOTES:
- SHAFT ROTATES CW, WHEN VIEWED FROM DRIVE END, WHEN COSINE SIGNAL LEADS SINE SIGNAL BY 90 DEGREES
 - SHAFT ROTATES CW, WHEN VIEWED FROM DRIVE END, WHEN U-V-W WIRED PER DIAGRAM
 - TERMINAL NUTS: TORQUE TO 15Nm
 - SEE MANUAL FOR RECOMMENDED TORQUE VALUES OF MOTOR FASTENERS
 - ESTIMATED ROTATIONAL MOMENT OF INERTIA: 5731 kg/mm²
 - * IP RATINGS - SEE USER MANUAL FOR DETAILS

REV	CHANGE REF	DESCRIPTION	DRAWN BY	CHECKED	APPROVED	DATE
1	ECN069	PRODUCTION APPROVED	EB	SD	SD	24/04/2025

TITLE: **193-080-10A+, B5/100, 48V, IP65**

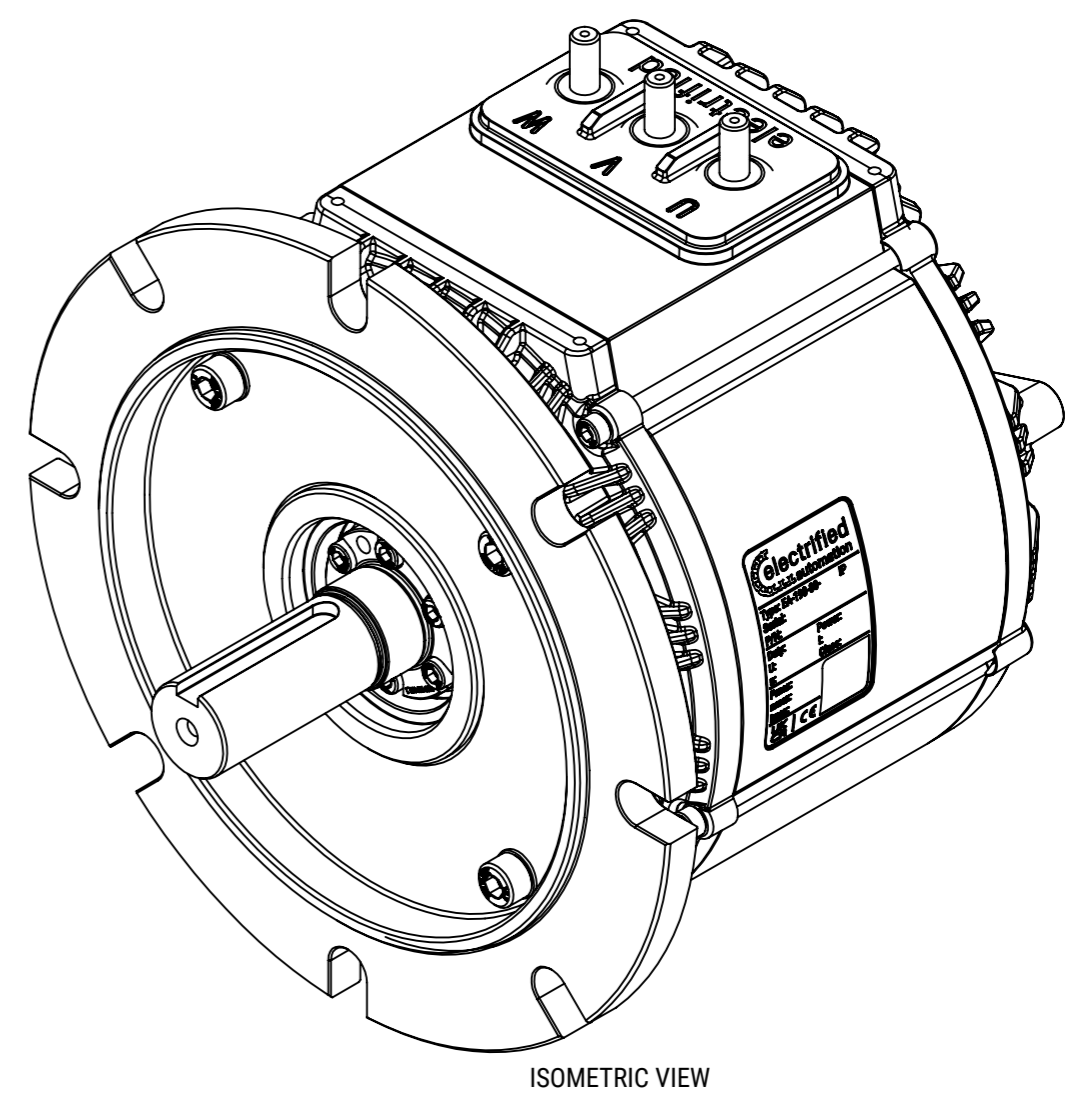
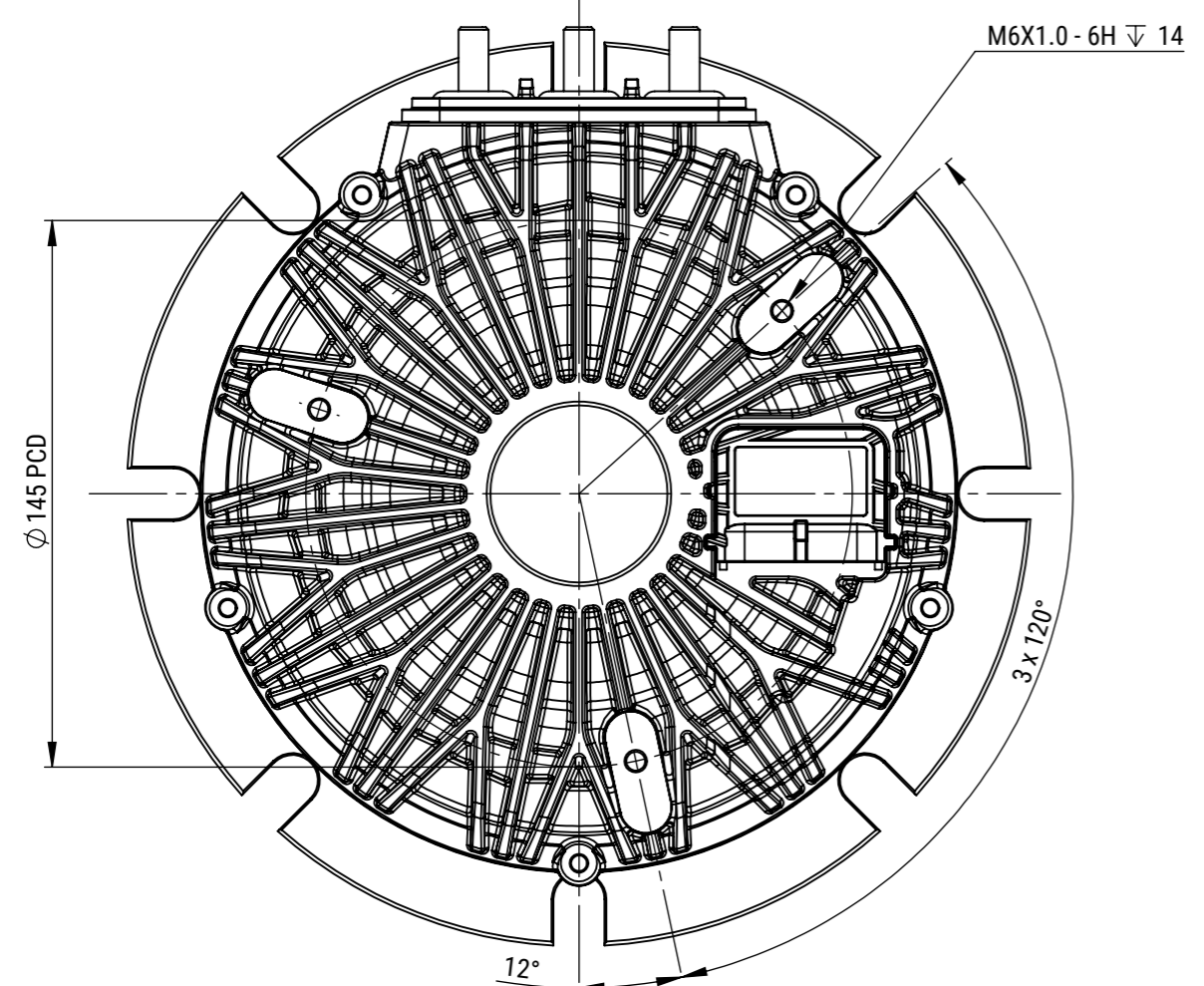
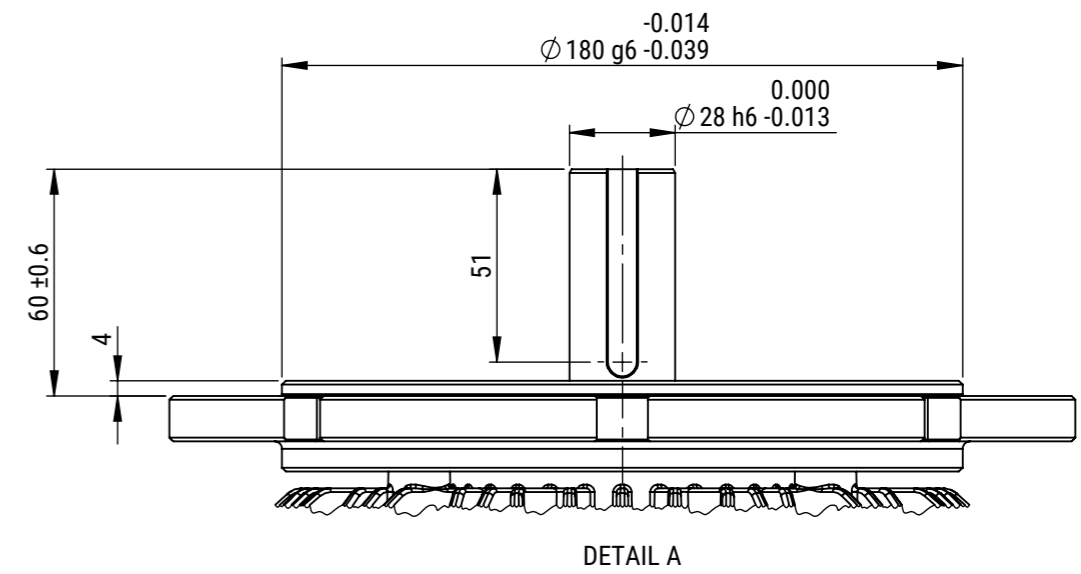
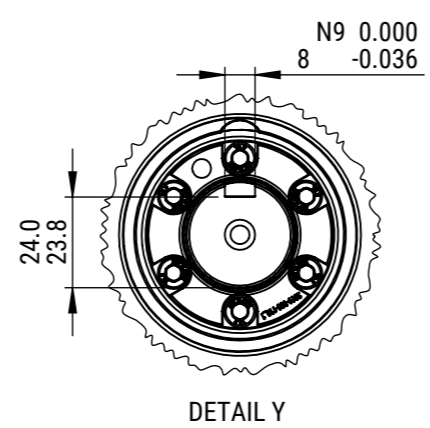
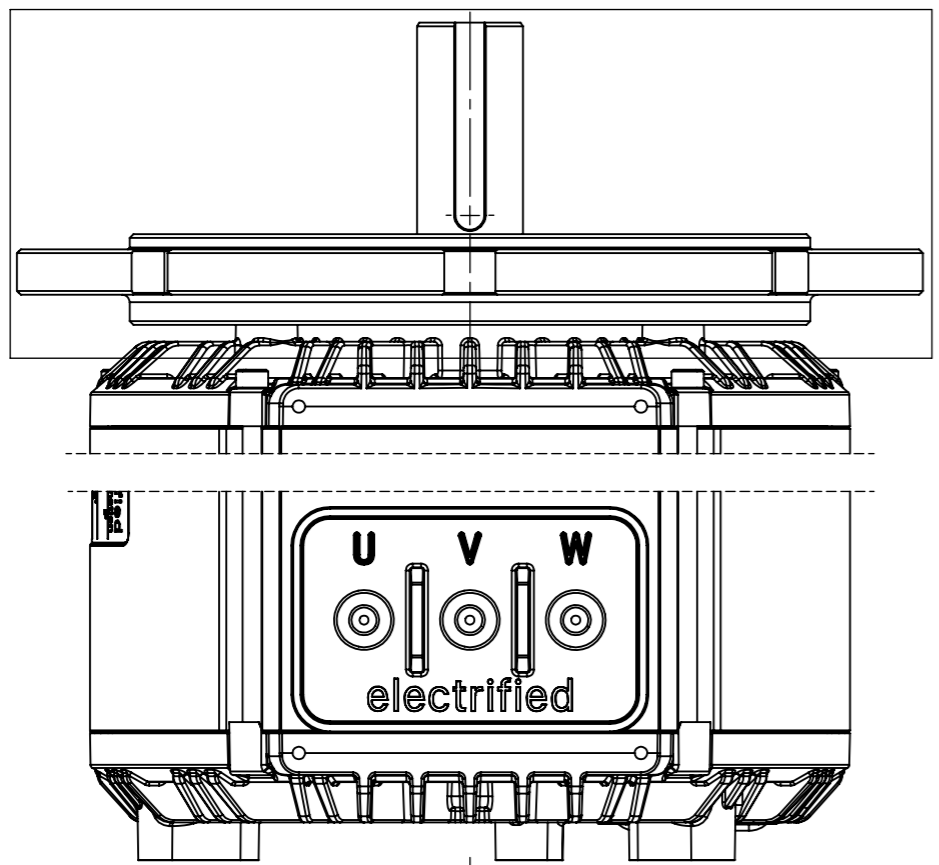
DWG NO. **2019-002-121** REV **1** SCALE **1:2**

	ELECTRIFIED AUTOMATION LTD, UNIT 4 BEECH BUSINESS PARK, BRIDGWATER, SOMERSET, TA6 4FF, UNITED KINGDOM	©2025 ELECTRIFIED AUTOMATION LTD. REPRODUCTION OR TRANSMISSION OF DATA HEREIN IS FORBIDDEN WITHOUT WRITTEN PERMISSION FROM ELECTRIFIED AUTOMATION LTD.	STRICTLY NO DEVIATION FROM DRAWING PERMISSABLE WITHOUT APPROVED CONCESSION FROM ELECTRIFIED AUTOMATION



IF IN DOUBT - ASK
ALL DIMENSION IN MM
CONFORMS TO BS8888

A3



REV	CHANGE REF	DESCRIPTION	DRAWN BY	CHECKED	APPROVED	DATE
1	ECN069	PRODUCTION APPROVED	EB	SD	SD	24/04/2025

TITLE: 193-080-10A+, B5/100, 48V, IP65						
DWG NO.	REV	SCALE	MASS			
2019-002-121	1	1:2	19.92kg			

electrified motors

ELECTRIFIED AUTOMATION LTD,
UNIT 4 BEECH BUSINESS PARK,
BRIDGWATER,
SOMERSET, TA6 4FF, UNITED KINGDOM

IF IN DOUBT - ASK
ALL DIMENSION IN MM
CONFORMS TO BS8888

©2025 ELECTRIFIED AUTOMATION LTD. REPRODUCTION OR TRANSMISSION OF DATA HEREIN IS FORBIDDEN WITHOUT WRITTEN PERMISSION FROM ELECTRIFIED AUTOMATION LTD.	
DOCUMENT TYPE	DOCUMENT STATUS
ASSEMBLY DRAWING	PRODUCTION APPROVED

STRICTLY NO DEVIATION FROM DRAWING PERMISSABLE WITHOUT APPROVED CONCEPTION FROM ELECTRIFIED AUTOMATION	
SHEET	A3
2 OF 2	